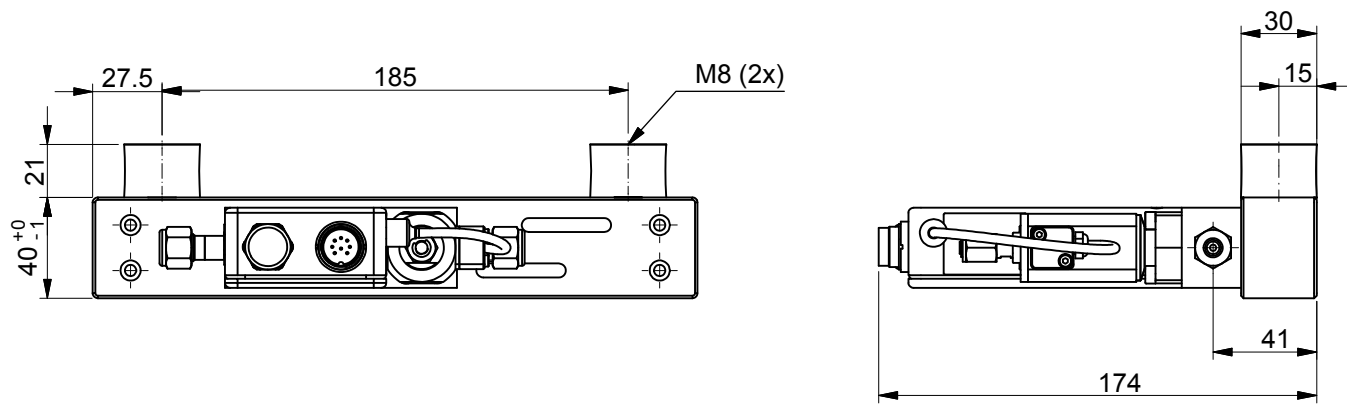


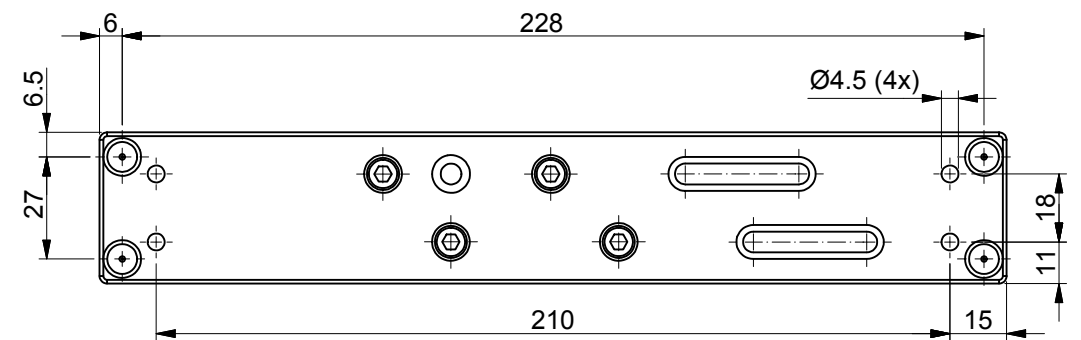
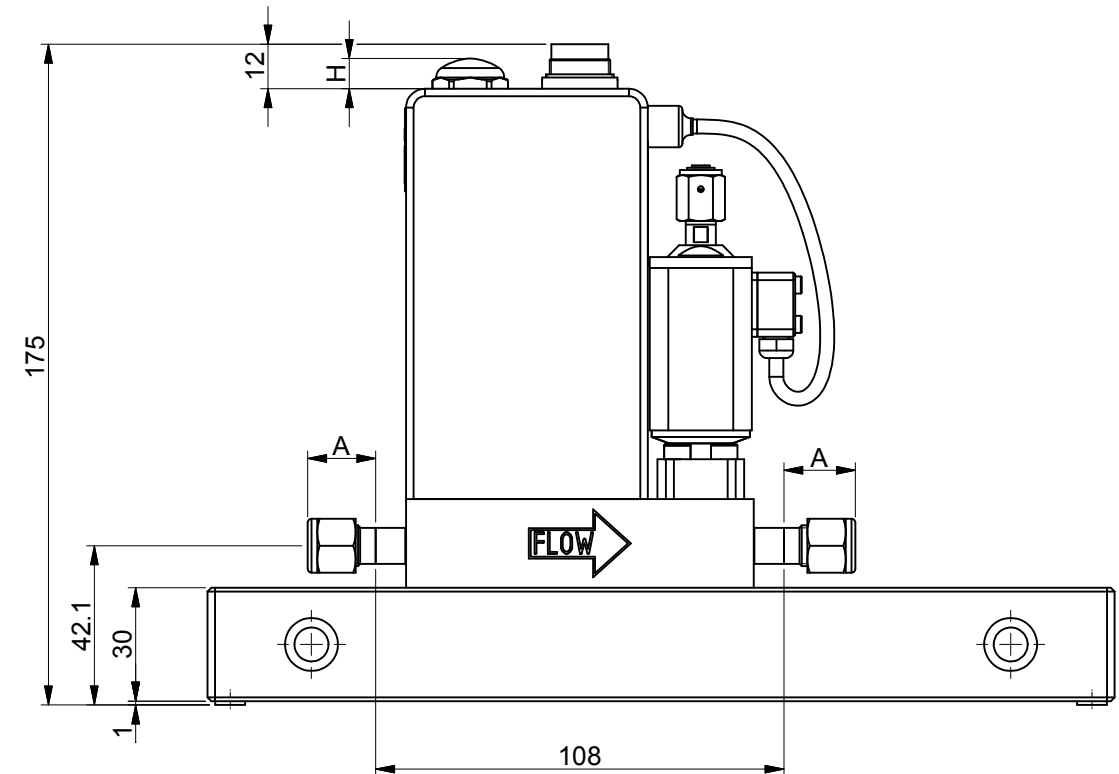
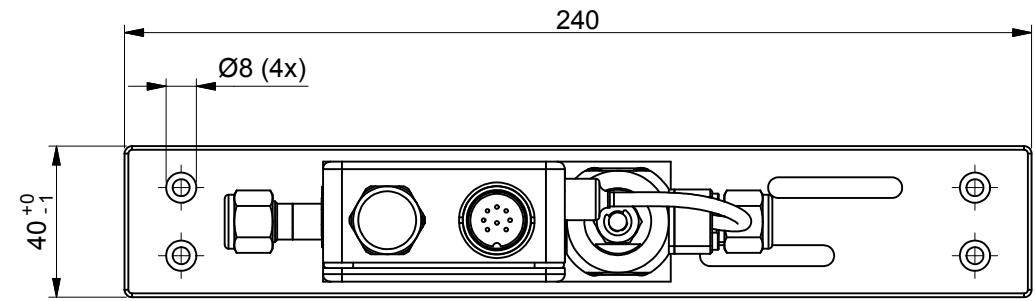
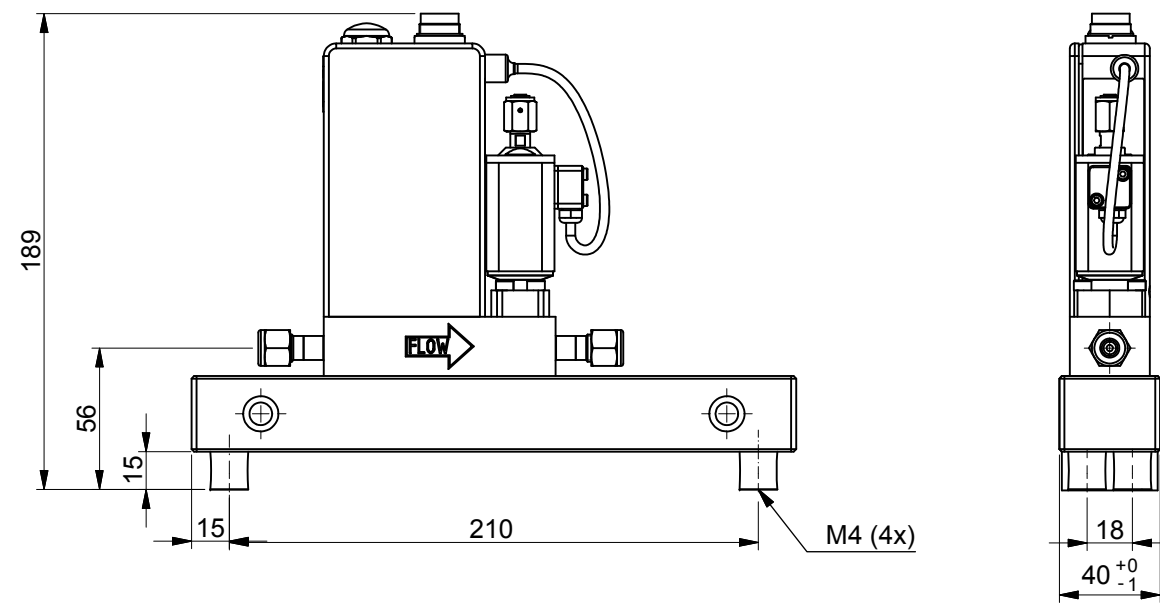
**Option 1:
Mass block with large dampers for wall mounting**

(1:3)

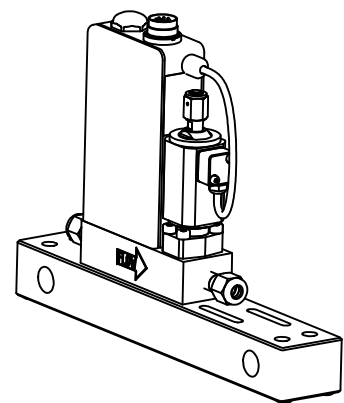


**Option 2:
Mass block with small dampers**

(1:3)



(1:4)



For bus applications height H=max. 18 mm.
Please note that the height increases when a
contra connector is used.

Check document 7.05.672 for dimension A.
Dimensions subject to change without notice.

Tolerances ± 0.2 unless
otherwise mentioned

Title: Dimensional drawing
M1xV1xl weld on a 2 kg mass block

Drawer : M.H.

Revision Description:
Logo changed

Date: 23-01-2013

Checked : J.E.

Date: 19-11-2015

Rev. by: R.Ge.

Scale: 1:2

A3

Drawing no.: 7.05.858

Rev.: B

Page: 1-1

