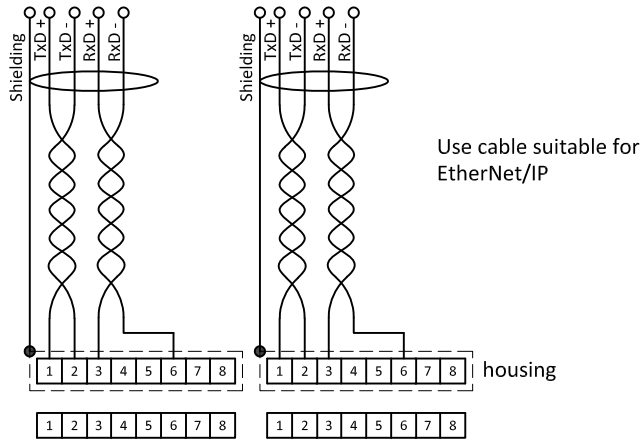


EtherNet/IP

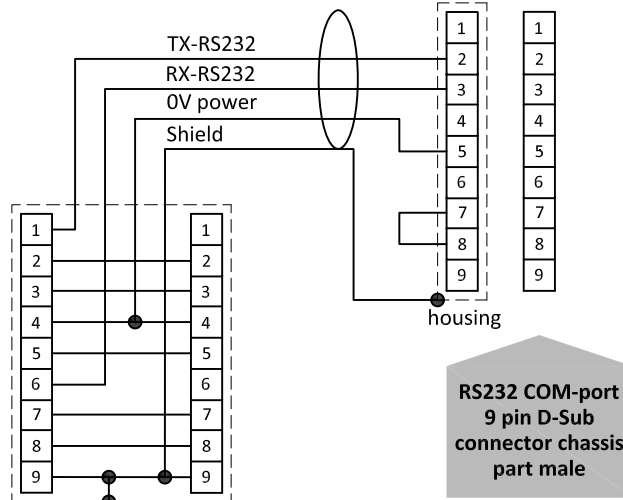
MBC3 Hook-up diagram ML Series instruments

EtherNet/IP connection



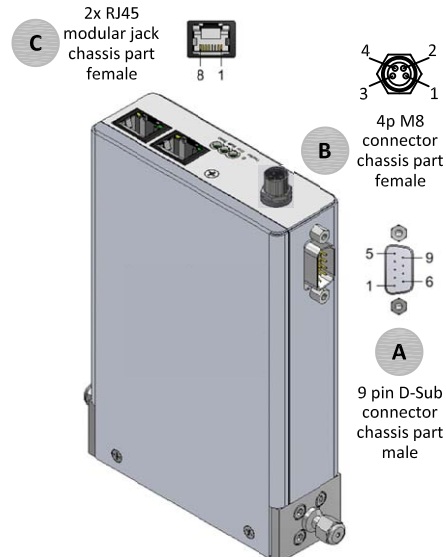
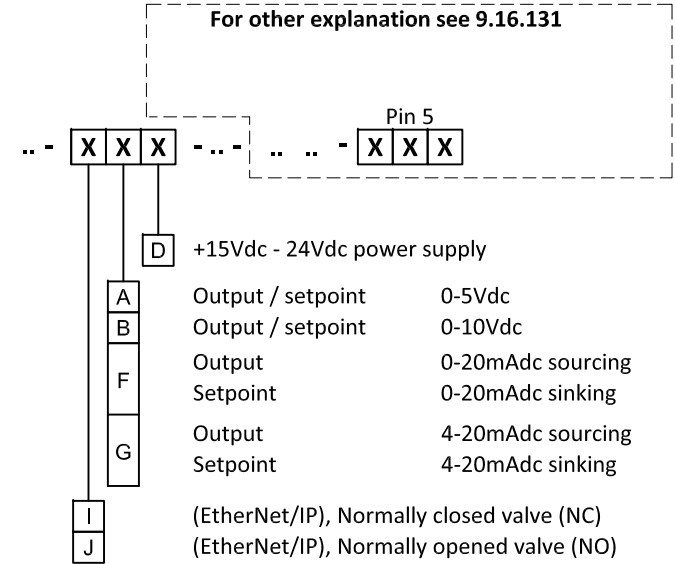
- C** RJ45 modular jack chassis part female
- RJ45 modular jack chassis part female

RS232 connection

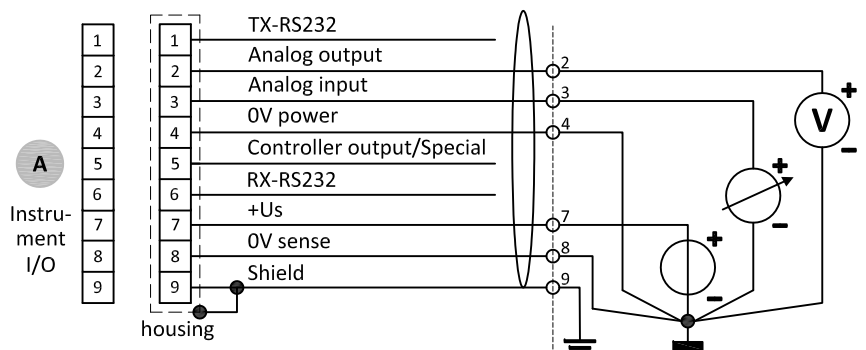


- T-adapter cable 7.03.366**

Model key explanation

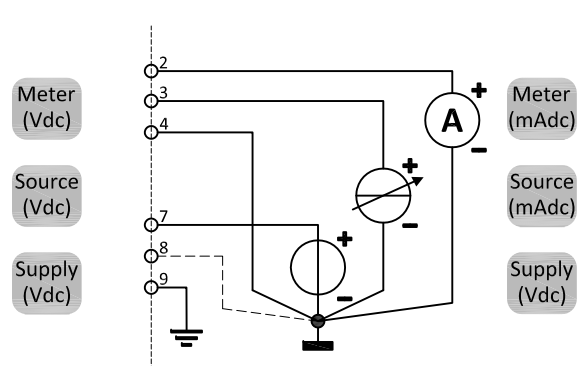


Note:
For information about the optional **B** "Valve/Actuator" connector.
See doc.nr. 9.16.131 for more details.



- 9 pin D-Sub connector chassis part male**
- 9 pin D-Sub connector cable part female**

Note:
Do not connect an external valve to instruments, set as meter.



**Analog operated
0-5 or 0-10Vdc**

**Analog operated
0-20 or 4-20mAdc**

Note:
0V power (pin 4) and 0V sense (pin 8) should be separately connected to the 0V terminal at the power supply.

Note:
In analog mode with 'mA signals' Pin 8 (0V sense) does not need to be connected. The instrument's operation will not be effected in case Pin 8 is already hooked-up

Note:
When using a field bus or RS232, it is not possible to operate the instrument by using the setpoint signal of the analog D-sub connector without changing the value of parameter "control mode". See doc.nr. 9.17.023 for more details