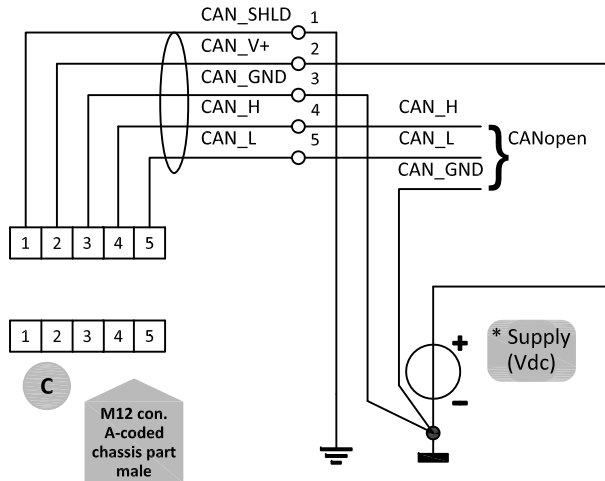


# CANopen

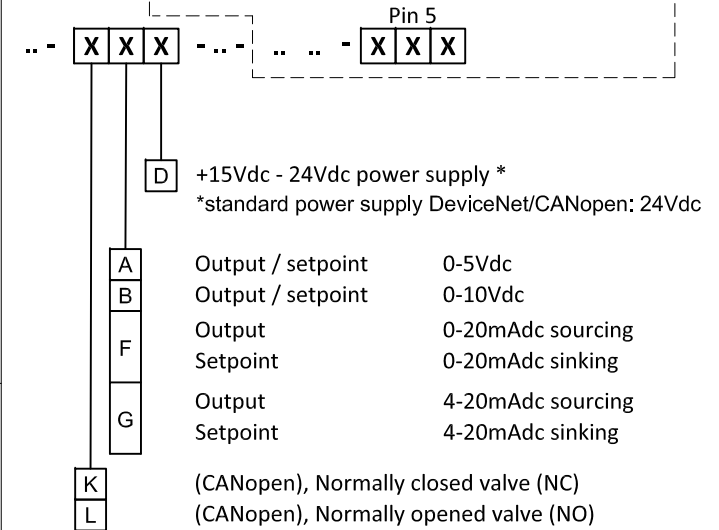
## MBC3 Hook-up diagram ML Series instruments

### CANopen connection



### Model key explanation

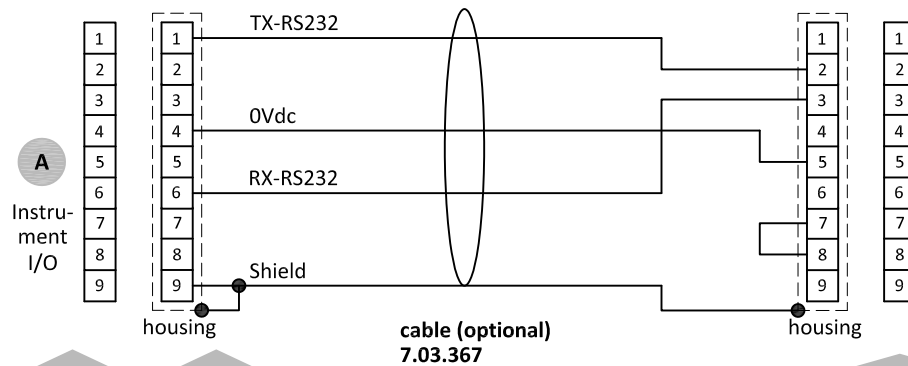
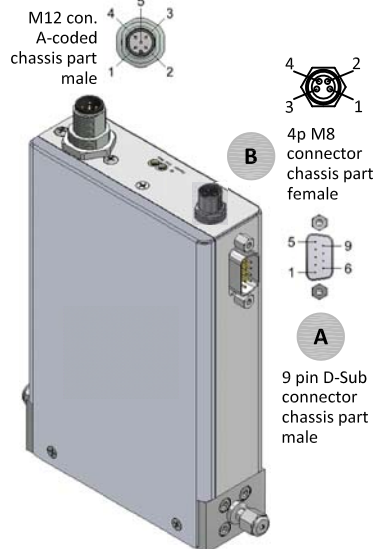
For other explanation see 9.16.131



### POWER SUPPLY WARNING



Do not power the instrument simultaneously from two different power sources (e.g. bus connection and Plug-in Power Supply). Doing so will damage the printed circuit board irreparably.



**9 pin D-Sub connector chassis part male**

**9 pin D-Sub connector cable part female**

**RS232 COM -port 9 pin D-Sub connector chassis part male**

Note:  
When using a field bus or RS232, it is not possible to operate the instrument by using the setpoint signal of the analog D-sub connector without changing the value of parameter "control mode".  
See doc.nr. 9.17.023 for more details

Note:  
Do not connect an external valve to instruments which is set as meter.

Note:  
Powering a single instrument is possible by the D-sub connector.  
Please consult 9.16.132 for a connection diagram.