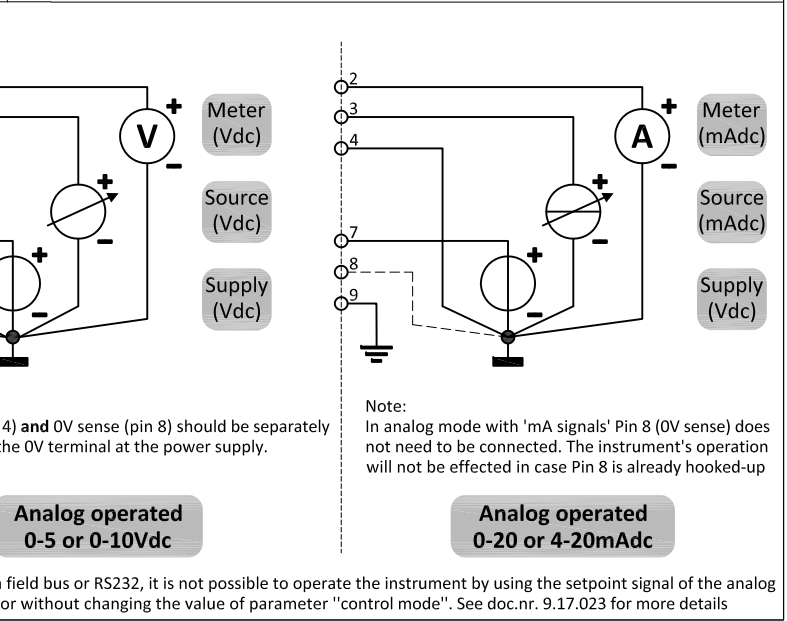
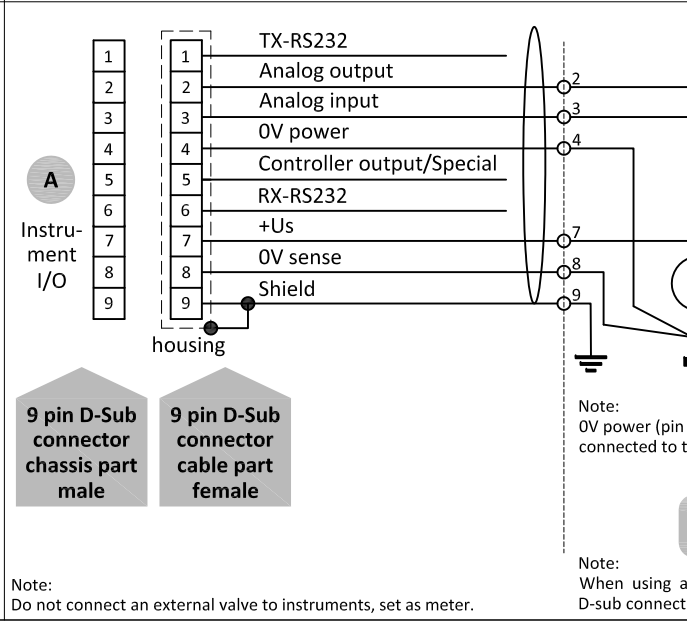
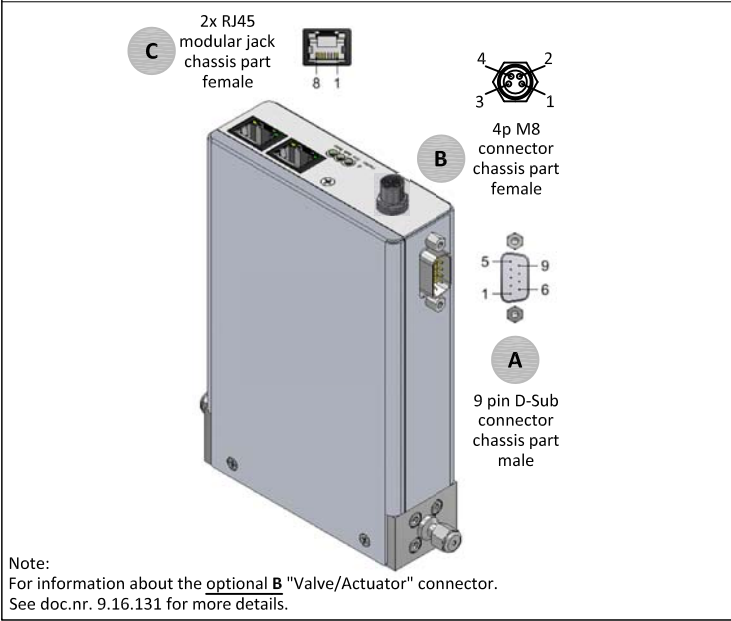
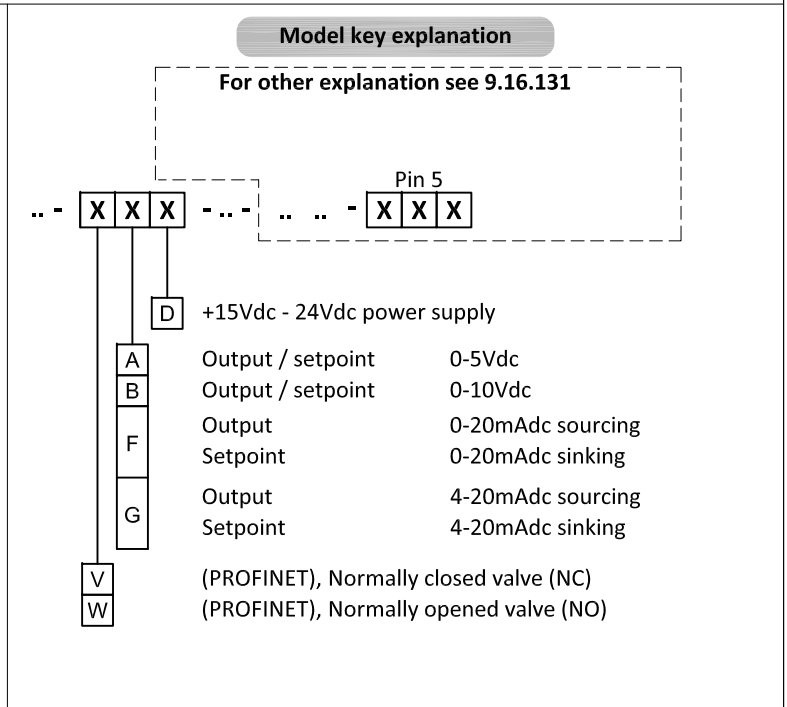
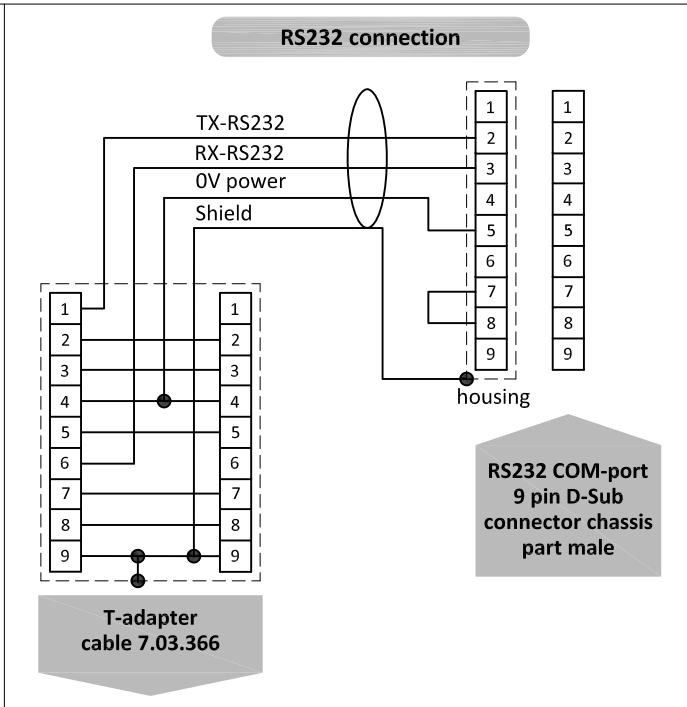
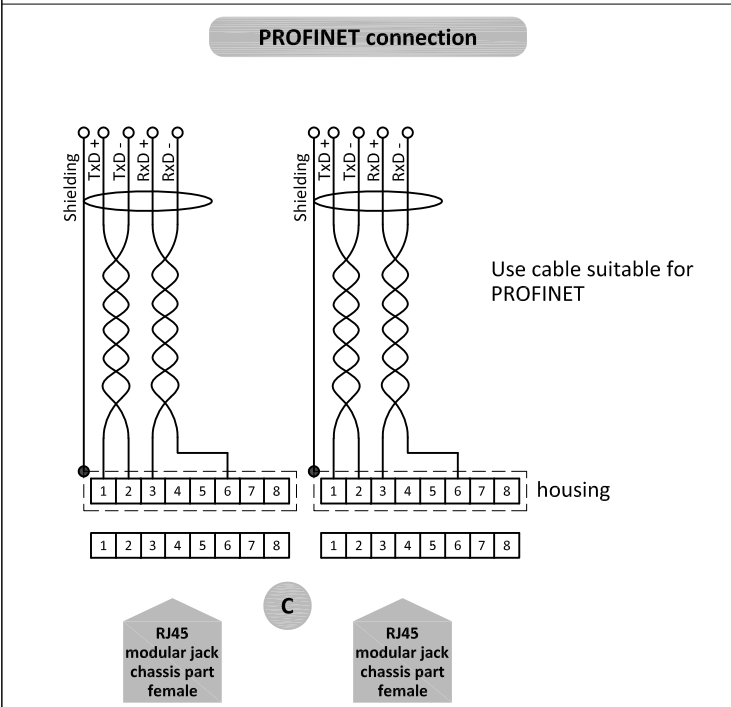


PROFINET

MBC3 Hook-up diagram ML Series instruments



**Analog operated
0-5 or 0-10Vdc**

**Analog operated
0-20 or 4-20mAdc**

Note:
When using a field bus or RS232, it is not possible to operate the instrument by using the setpoint signal of the analog D-sub connector without changing the value of parameter "control mode". See doc.nr. 9.17.023 for more details