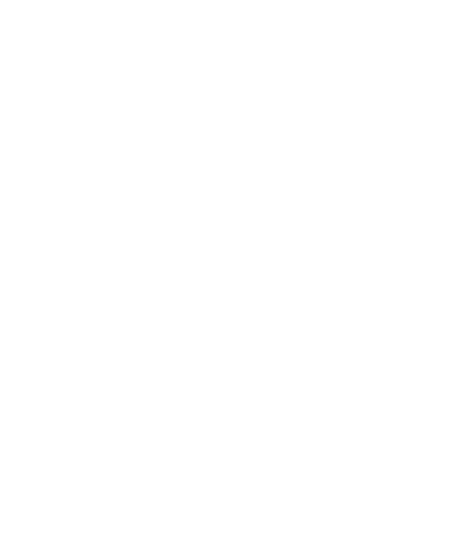
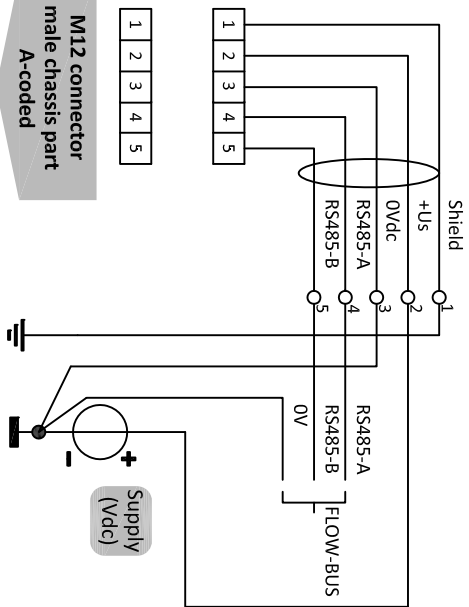




FLOW-BUS

Hook-up diagram

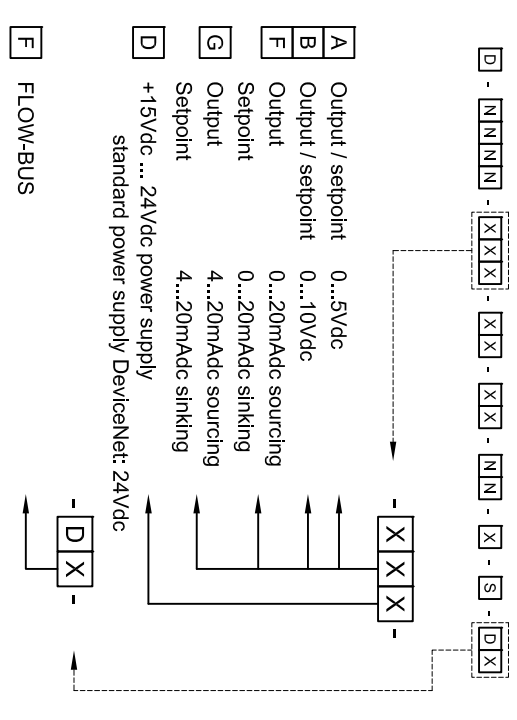
FLOW-BUS connection



Types

D-6300 Series

Model key explanation



Types

D-6300 Series

Model key explanation



Note:
 When using a field bus or RS232, it is not possible to operate the instrument by using the setpoint signal of the analog 8 DIN connector without changing the value of parameter "control mode".
 See doc.no. 9.17.023 for more details

Note:
 Do not connect an external valve to instruments, set as WFM.

Note:
 Powering a single instrument is possible by the 8 DIN connector.
 See doc.no. 9.16.092 for the hook-up diagram.

